



**MADE**inITALY

# CLEARLine®

"Be cool, be safe, be CLEARLine"





**CLEARLine is a Biosigma's registered trade mark synonymous of purity, clean and safety.**

Thanks to the use of high quality raw materials and specific procedures during production phase, our CLEARLine products are ideal for the most sensitive applications. Manufactured under clean-room conditions with strict quality standards, the purity of the products is certified by lot by an external accredited laboratory. The lot-specific certificates are available on request and can also be downloaded from: [www.biosigma.com](http://www.biosigma.com)



**Phone:**  
+39 0426 302224



**Fax:**  
+39 0426 302228



**Email:**  
[export@biosigmaeu.com](mailto:export@biosigmaeu.com)



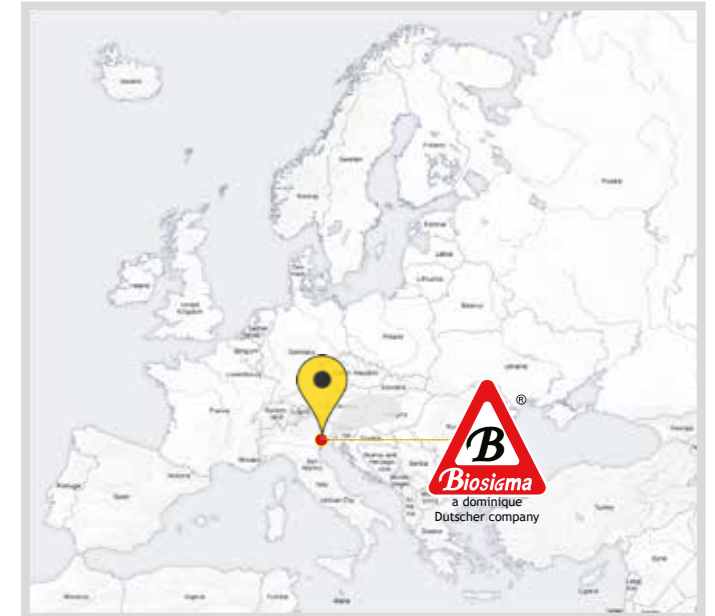
**Address:**  
Biosigma S.r.l. a Dominique Dutscher company  
Via Valletta, 6 - 30010,  
Cona (VE) Italy



**International Web-Site:**  
[www.biosigma.com](http://www.biosigma.com)



**Opening Time (UTC+1.00):**  
From Monday to Friday :  
08:30 AM - 01:00 PM  
02:00 PM - 05:30 PM




**Ms. Stefania Pizzeghello**  
Export Manager

Phone: +39 0426 302224 int. 101  
Email: [export@biosigmaeu.com](mailto:export@biosigmaeu.com)  
Skype: biosigma\_stefania  
Mobile: +39 338 6647513



**Ms. Debora Aggio**  
Marketing

Phone: +39 0426 302224 int. 169  
Email: [exp.marketing@biosigmaeu.com](mailto:exp.marketing@biosigmaeu.com)  
Skype: biosigma\_qualita



**Mr. Mattia Saviolo**  
International Sales:

North/West Europe  
Asia  
Middle East

Phone: +39 0426 302224 int. 130  
Email: [exp.logistic@biosigmaeu.com](mailto:exp.logistic@biosigmaeu.com)  
Skype: biosigma\_mattia



**Ms. Alessandra Bolzonaro**  
International Sales:

East Europe,  
Africa,  
Australia,  
North/Central/South America

Phone: +39 0426 302224 int. 144  
Email: [exp.support@biosigmaeu.com](mailto:exp.support@biosigmaeu.com)  
Skype: biosigma\_exp.support



Registered trade mark identifying CLEARLine products manufactured by Biosigma



Registered trade mark identifying accessories for CLEARLine products



Trade mark identifying CLEARLine products distributed by Biosigma



## CryoGen® Tubes / 1D linear barcode

- ▶ Human DNA, DNase, RNase, Pyrogen, ATP, PCR inhibitors free certified\*
  - ▶ Sterile SAL 10<sup>-6</sup> \*
  - ▶ CE-IVD marked \*
  - ▶ Certified IATA PI 650
  - ▶ Manufactured in Clean Room Class ISO 7 (UNI EN ISO 14644-1). Class 10000 (US FED STD 209E)
  - ▶ Working Temperature: up to -196 C°
  - ▶ Tubes in Polypropylene / Caps in Polyethylene and TPV
- \* Certificate of analysis, Certificate of validated Beta rays treatment and Declaration of conformity CE-IVD available for download on [www.biosigma.com](http://www.biosigma.com)

**CLEARLine®**  
"Be cool, be safe, be CLEARLine"



Color coded inserts are available to fit both internal and external caps for quick sample identification

Innovative internal and external screw caps are produced from medical grade polyethylene (PE) and are co-molded with a thermoplastic elastomer (TPV) to provide a 100% leak-proof seal

Produced from medical grade raw materials that will not discolor after re-sterilizing

Printed graduations for accurate measurements

White writing surface for specimen identification

Round bottom or self standing

Star shaped top cavity is engineered for use with automatic decapping equipment

Chemical resistant caps

Slim profile external caps ensure better fit in standard racks and boxes

Vials and caps are autoclavable

Standard code 128 barcode on each vial includes human readable characters printed in both left and right hand orientation for easy readability by all users.

Chemical resistant polypropylene (PP) vial

Self-standing vials interlock in workstations

Our innovative screw caps eliminate leakage and contamination. Both internal and external screw caps are co-molded with a thermoplastic elastomer (TPV) layer and are 95kPa certified to provide a 100% leak-proof seal. This proprietary molding process eliminates the risk of contamination associated with brands that use separate o-rings.



## CryoGen® Tubes Internal cap

Sterile, DNase, RNase, Human DNA, ATP, Pyrogen free



### Internal cap - case / 500

CAT. NO.	Vol. (ml)	Height (cm)	Bottom style	Internal packaging	Sale unit
CL1ARBIPSTS	1.2	4.27	Self Standing	bag / 50	case / 500
CL2ARBIPSTS	2.0	4.82	Self Standing	bag / 50	case / 500
CL2ARIPSTS	2.0	4.70	Round bottom	bag / 50	case / 500
CL4ARBIPSTS	4.0	7.62	Self Standing	bag / 50	case / 500
CL4ARIPSTS	4.0	7.50	Round bottom	bag / 50	case / 500
CL5ARBIPSTS	5.0	9.03	Self Standing	bag / 50	case / 500
CL5ARIPSTS	5.0	8.92	Round bottom	bag / 50	case / 500

6 different colors caps available. To order add ending as follows: /AZ (blue) /BI(white) /G(yellow) /RO(red) /V(green) /VI(violet)

### Internal cap - packaging in bulk

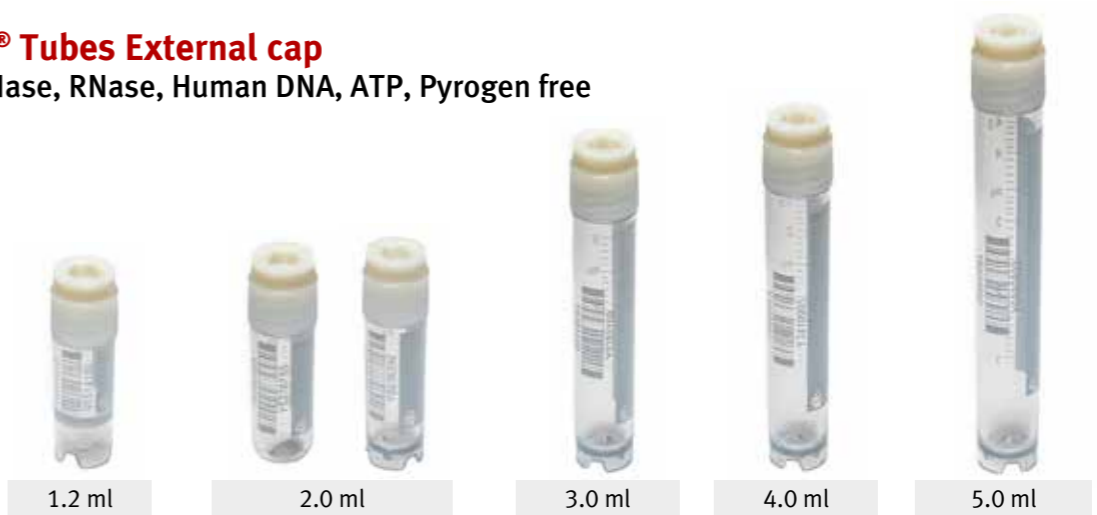
CAT. NO.	Vol. (ml)	Height (cm)	Bottom style	Internal packaging	Sale unit
CL1ARBIPSTS/B	1.2	4.27	Self Standing	bag / 50	carton / 4500
CL2ARBIPSTS/B	2.0	4.82	Self Standing	bag / 50	carton / 4000
CL2ARIPSTS/B	2.0	4.70	Round bottom	bag / 50	carton / 4000
CL4ARBIPSTS/B	4.0	7.62	Self Standing	bag / 50	carton / 2500
CL4ARIPSTS/B	4.0	7.50	Round bottom	bag / 50	carton / 2500
CL5ARBIPSTS/B	5.0	9.03	Self Standing	bag / 50	carton / 2000
CL5ARIPSTS/B	5.0	8.92	Round bottom	bag / 50	carton / 2000

6 different colors caps available. To order add ending as follows: AZ (blue) BI(white) G(yellow) RO(red) V(green) VI(violet)



## CryoGen® Tubes External cap

Sterile, DNase, RNase, Human DNA, ATP, Pyrogen free



### External cap - case / 500

CAT. NO.	Vol. (ml)	Height (cm)	Bottom style	Internal packaging	Sale unit
CL1ARBEPSTS	1.2	4.02	Self Standing	bag / 50	case / 500
CL2ARBEPSTS	2.0	4.56	Self Standing	bag / 50	case / 500
CL2AREPSTS	2.0	4.45	Round bottom	bag / 50	case / 500
CL3ARBEPSTS	3.0	6.92	Self Standing	bag / 50	case / 500
CL4ARBEPSTS	4.0	7.36	Self Standing	bag / 50	case / 500
CL5ARBEPSTS	5.0	8.76	Self Standing	bag / 50	case / 500

6 different colors caps available. To order add ending as follows: /AZ (blue) /BI(white) /G(yellow) /RO(red) /V(green) /VI(violet)

### External cap - packaging in bulk

CAT. NO.	Vol. (ml)	Height (cm)	Bottom style	Internal packaging	Sale unit
CL1ARBEPSTS/B	1.2	4.02	Self Standing	bag / 50	carton / 4500
CL2ARBEPSTS/B	2.0	4.56	Self Standing	bag / 50	carton / 4000
CL2AREPSTS/B	2.0	4.45	Round bottom	bag / 50	carton / 4000
CL3ARBEPSTS/B	3.0	6.92	Self Standing	bag / 50	carton / 2500
CL4ARBEPSTS/B	4.0	7.36	Self Standing	bag / 50	carton / 2500
CL5ARBEPSTS/B	5.0	8.76	Self Standing	bag / 50	carton / 2000

6 different colors caps available. To order add ending as follows: AZ (blue) BI(white) G(yellow) RO(red) V(green) VI(violet)

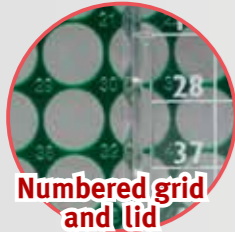


## Cryoboxes in polycarbonate

Boxes in polycarbonate for CryoGen® Tubes storage. Different models are available to accommodate either 25, 81 or 100 CryoGen® tubes. These durable cryogenic storage boxes are designed to be used at temperatures between -196°C and +121°C and are autoclavable at 120°C, for 20 minutes.

- ▶ for storing at temperatures as low as -196 °C
- ▶ autoclavable at 121 °C for 20 minutes

- ▶ Numerical grid printed on the lid
- ▶ Frosted area on both lid and bottom for an easy writing
- ▶ Colored grid
- ▶ For storing at temperatures as low as -196 °C
- ▶ Autoclavable at 121 °C for 20 minutes
- ▶ Vial Picker: Removal of vials facilitated by a vial picker. Suitable for both internal and external Cryogen Tubes screw cap. Supplied with each pack of storage boxes
- ▶ In polycarbonate



Numbered grid and lid



Writing frosted area



Vial picker

### CLEARLine Accessories

#### 25 Places



**CryoGen® Box 25 pad printed grid lid for 1 - 2 ml tubes, external and internal cap**

CAT. NO.	Grid Color	Dimensions (mm)	Internal packaging	Sale unit
BSM58025B/AZ	light blue	76x76x52	6 packs of 8 units	case / 48
BSM58025B/RO	red	76x76x52	6 packs of 8 units	case / 48
BSM58025B/V	green	76x76x52	6 packs of 8 units	case / 48
BSM58025B/G	yellow	76x76x52	6 packs of 8 units	case / 48

#### 81 Places low



**CryoGen® Box 81 LOW pad printed grid lid for 1 - 2 ml tubes, external and internal cap**

CAT. NO.	Grid Color	Dimensions (mm)	Internal packaging	Sale unit
BSM58061B/AZ	light blue	132x132x52	8 packs of 5 units	case / 40
BSM58061B/RO	red	132x132x52	8 packs of 5 units	case / 40
BSM58061B/V	green	132x132x52	8 packs of 5 units	case / 40
BSM58061B/G	yellow	132x132x52	8 packs of 5 units	case / 40

#### 81 Places high



**CryoGen® Box 81 HIGH pad printed grid lid for 3 - 4 - 5 ml tubes external cap, and 5 ml internal cap**

CAT. NO.	Grid Color	Dimensions (mm)	Internal packaging	Sale unit
BSM58071B/AZ	light blue	132x132x94	8 packs of 4 units	case / 32
BSM58071B/RO	red	132x132x94	8 packs of 4 units	case / 32
BSM58071B/V	green	132x132x94	8 packs of 4 units	case / 32
BSM58071B/G	yellow	132x132x94	8 packs of 4 units	case / 32

#### 100 Places



**CryoGen® Box 100 pad printed grid lid for 1 - 2 ml tubes, internal cap**

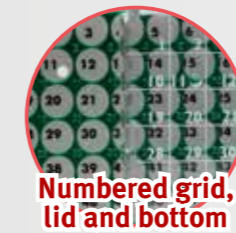
CAT. NO.	Color	Dimensions (mm)	Internal packaging	Sale unit
BSM58100/B	white	132x132x52	8 packs of 5 units	case / 40
BSM58100/AZ	light blue	132x132x52	8 packs of 5 units	case / 40
BSM58100/RO	red	132x132x52	8 packs of 5 units	case / 40
BSM58100/V	green	132x132x52	8 packs of 5 units	case / 40
BSM58100/G	yellow	132x132x52	8 packs of 5 units	case / 40

## 1D Cryoboxes in polycarbonate

- ▶ Linear Barcode 'code 128' lasered on the rack side with human reading decoding
- ▶ Numerical grid serigraphed both on lid and bottom for an easy positioning
- ▶ Frosted area on both lid and bottom for an easy writing
- ▶ Colored grid
- ▶ For storing at temperatures as low as -196 °C
- ▶ Autoclavable at 121 °C for 20 minutes
- ▶ Vial Picker: Removal of vials facilitated by a vial picker. Suitable for both internal and external Cryogen Tubes screw cap. Supplied with each pack of storage boxes
- ▶ In polycarbonate



Barcode lasered on rack side



Numbered grid, lid and bottom



Writing frosted area



Vial picker

### CLEARLine Accessories

#### 25 Places



**CryoGen® Box 25 1D barcoded for 1 - 2 ml tubes, external and internal cap**

CAT. NO.	Grid Color	Dimensions (mm)	Internal packaging	Sale unit
BSM58025B1D/AZ	light blue	76x76x52	6 packs of 8 units	case / 48
BSM58025B1D/RO	red	76x76x52	6 packs of 8 units	case / 48
BSM58025B1D/V	green	76x76x52	6 packs of 8 units	case / 48
BSM58025B1D/G	yellow	76x76x52	6 packs of 8 units	case / 48

#### 81 Places low



**CryoGen® Box 81 LOW 1D barcoded for 1 - 2 ml tubes, external and internal cap**

CAT. NO.	Grid Color	Dimensions (mm)	Internal packaging	Sale unit
BSM58061B1D/AZ	light blue	132x132x52	8 packs of 5 units	case / 40
BSM58061B1D/RO	red	132x132x52	8 packs of 5 units	case / 40
BSM58061B1D/V	green	132x132x52	8 packs of 5 units	case / 40
BSM58061B1D/G	yellow	132x132x52	8 packs of 5 units	case / 40

#### 81 Places high



**CryoGen® Box 81 HIGH 1D barcoded for 3 - 4 - 5 ml tubes external cap and 5 ml internal cap**

CAT. NO.	Grid Color	Dimensions (mm)	Internal packaging	Sale unit
BSM58071B1D/AZ	light blue	132x132x94	8 packs of 4 units	case / 32
BSM58071B1D/RO	red	132x132x94	8 packs of 4 units	case / 32
BSM58071B1D/V	green	132x132x94	8 packs of 4 units	case / 32
BSM58071B1D/G	yellow	132x132x94	8 packs of 4 units	case / 32

#### 100 Places



**CryoGen® Box 100 1D barcoded for 1 - 2 ml tubes, internal cap**

CAT. NO.	Color	Dimensions (mm)	Internal packaging	Sale unit
BSM581001D/B	white	132x132x52	8 packs of 5 units	case / 40

Be cool, be safe, be CLEARLine



Recommended for **4Banking** system



Free Download the demo version of **Samples Quick Software**  
<http://www.biosigma.com/biobanking-creation>

## CryoGen® Tubes / 2D barcode

**CLEARLine®**  
"Be cool, be safe, be CLEARLine"



Color coded inserts are available to fit both internal and external caps for quick sample identification

Innovative internal and external screw caps to provide a 100% leak-proof seal

Produced from medical grade raw materials that will not discolor after re-sterilizing

Printed graduations for accurate measurements

White writing surface for specimen identification

**Datamatrix Code inserted in the bottom, sequential and corresponding to the "Code 128" on the tube body**  
**The 2D code is automatically generated from the linear barcode during the manufacturing process**  
**Permanent laser etching system**

**Strict quality control, every tube is checked to ensure they meet our exacting standards of reading**

**The insert is secured in place by the use of ultrasound to weld it into place**



Star shaped top cavity is engineered for use with automatic decapping equipment

Slim profile external caps ensure better fit in standard racks and boxes

Vials and caps are autoclavable

Standard code 128 barcode on each vial includes human readable characters printed in both left and right hand orientation for easy readability by all users.

Locking Base features prevents tubes rotating within the rack/workstation during capping and decapping.

The base of the tube is provided with channels of evacuation of the cryogenic liquid that could possibly be trapped between the base of the tube and the 2D pad.

- ▶ Human DNA, DNase, RNase, Pyrogen, ATP, PCR inhibitors free certified\*
- ▶ Sterile SAL 10<sup>-6</sup> \*
- ▶ CE-IVD marked \*
- ▶ Certified IATA PI 650

- ▶ Manufactured in Clean Room Class 10000 ISO 7
- ▶ Working Temperature: Up to -196 C°
- ▶ Tubes in Polypropylene / Caps in Polyethylene and TPV

\* Certificate of analysis, Certificate of validated Beta rays treatment and Declaration of conformity CE-IVD available for download on [www.biosigma.com](http://www.biosigma.com)

**CryoGen Tubes 2D Internal cap**  
Sterile, DNase, RNase, Human DNA, ATP, Pyrogen free



**CryoGen Tubes 2D External cap**  
Sterile, DNase, RNase, Human DNA, ATP, Pyrogen free



Internal cap					
CAT. NO.	Vol. (ml)	Height (cm)	Bottom style	Internal packaging	Sale unit
CL2ARBIPS2D	2.0	4.82	Self Standing	bag / 50	case / 500
CL2ARBIPS2D/B	2.0	4.82	Self Standing	bag / 50	carton / 4000
CL5ARBIPS2D	5.0	9.03	Self Standing	bag / 50	case / 500
CL5ARBIPS2D/B	5.0	9.03	Self Standing	bag / 50	carton / 2000

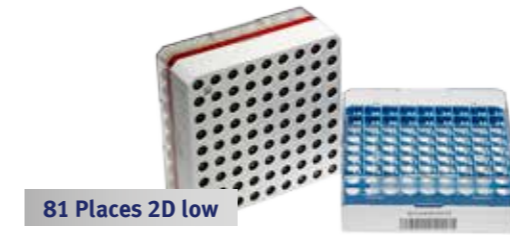
External cap					
CAT. NO.	Vol. (ml)	Height (cm)	Bottom style	Internal packaging	Sale unit
CL2ARBEPS2D	2.0	4.56	Self Standing	bag / 50	case / 500
CL2ARBEPS2D/B	2.0	4.56	Self Standing	bag / 50	carton / 4000
CL5ARBEPS2D	5.0	8.76	Self Standing	bag / 50	case / 500
CL5ARBEPS2D/B	5.0	8.76	Self Standing	bag / 50	carton / 2000

## 2D Cryoboxes in polycarbonate 81 and 100 places

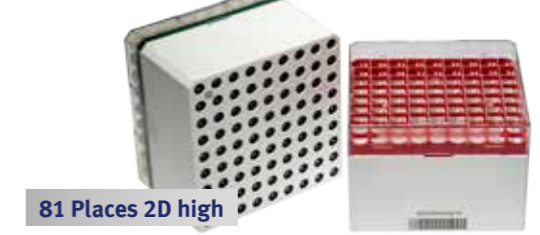
- ▶ Automatic identification of the box and of its positioning through 2D datamatrix code, on the box bottom
- ▶ Barcode "code 128" lasered on rack side.
- ▶ Numerical grid on lid
- ▶ Frosted writing area
- ▶ Colored grid

- ▶ For storing at temperatures as low as -196 °C
- ▶ Autoclavable at 121 °C for 20 minutes
- ▶ Vial Picker supplied with each inner pack
- ▶ White bottom
- ▶ In polycarbonate

**CLEARLine®**  
Accessories



81 Places 2D low



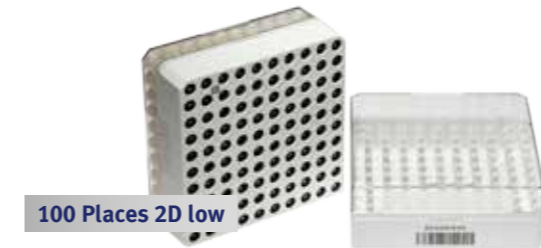
81 Places 2D high

### CryoGen® Box 81 LOW pad printed grid lid 2D for 2 ml tubes

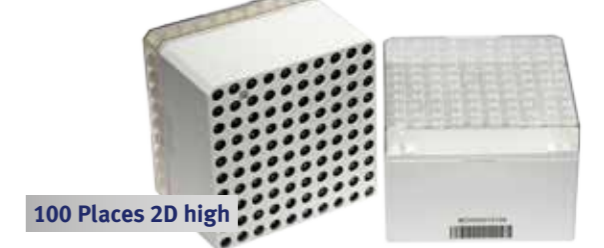
CAT. NO.	Grid Color	Dimensions (mm)	Internal packaging	Sale unit
BSM580612D/AZ	light blue	132x132x52	8 packs of 5 units	case / 40
BSM580612D/RO	red	132x132x52	8 packs of 5 units	case / 40
BSM580612D/V	green	132x132x52	8 packs of 5 units	case / 40
BSM580612D/G	yellow	132x132x52	8 packs of 5 units	case / 40

### CryoGen® Box 81 HIGH pad printed grid lid 2D for 5 ml tubes

CAT. NO.	Grid Color	Dimensions (mm)	Internal packaging	Sale unit
BSM580712D/AZ	light blue	132x132x94	8 packs of 4 units	case / 32
BSM580712D/RO	red	132x132x94	8 packs of 4 units	case / 32
BSM580712D/V	green	132x132x94	8 packs of 4 units	case / 32
BSM580712D/G	yellow	132x132x94	8 packs of 4 units	case / 32



100 Places 2D low



100 Places 2D high

### CryoGen® Box 100 LOW pad printed grid lid 2D for 2 ml tubes, internal cap

CAT. NO.	Color	Dimensions (mm)	Internal packaging	Sale unit
BSM581002D/B	white	132x132x52	8 packs of 5 units	case / 40

### CryoGen® Box 100 HIGH pad printed grid lid 2D for 5 ml tubes, internal cap

CAT. NO.	Color	Dimensions (mm)	Internal packaging	Sale unit
BSM581052D/B	white	132x132x94	8 packs of 4 units	case / 32

## 48 Places SBS rack for 2 and 5 ml 2D CryoGen® tubes

Storage cryo rack 48 places with a footprint that corresponds to ANSI-standard

- ▶ Stackable
- ▶ Rack bottom with scanning windows for the Datamatrix of the contained cryotubes
- ▶ In Polypropylene
- ▶ Linear barcode on requests

- ▶ Alphanumeric bottom
- ▶ Available for both 2 and 5 ml 2D CryoGen® Tubes
- ▶ Suitable for automatic capper-decapper
- ▶ Suitable for multiscanner

**CLEARLine®**  
Accessories



48 Places

CAT. NO.	Description	Sale unit
BSM58048H	Rack 48 places for 5 ml int/ext CryoGen® tubes 2D	15
BSM58048L	Rack 48 places for 2 ml int/ext CryoGen® tubes 2D	20



48 Places SBS racked tubes

CAT. NO.	Description	Tubes	Sale unit
BSM58048HI	Rack 48 places filled with 5 ml internal CryoGen® tubes 2D	5 ml	15
BSM58048HE	Rack 48 places filled with 5 ml external CryoGen® tubes 2D	5 ml	15
BSM58048LI	Rack 48 places filled with 2 ml internal CryoGen® tubes 2D	2 ml	20
BSM58048LE	Rack 48 places filled with 2 ml external CryoGen® tubes 2D	2 ml	20

# MICROCENTRIFUGE TUBES SNAP CAPS

## WITH SECURE LOCKING SYSTEM

### CLEARLock™ The best protection ever for your samples!

CLEARLock™ microtubes combine the security of a screw cap tube with the ease-of-use of a snap cap tube. They assure supreme protection to your samples by providing superior security during centrifugation, a precise sealing preventing evaporation, essential features during lab procedures.

CLEARLock™ microtubes have been specially studied and designed to withstand up to 30,000 xg during centrifugation without any rupture and to preserve the sample integrity.

The hinged lid prevents any unintentional opening during use especially when working with hazardous/precious samples or incubation. The precise sealing avoid also evaporation during long-term storage.

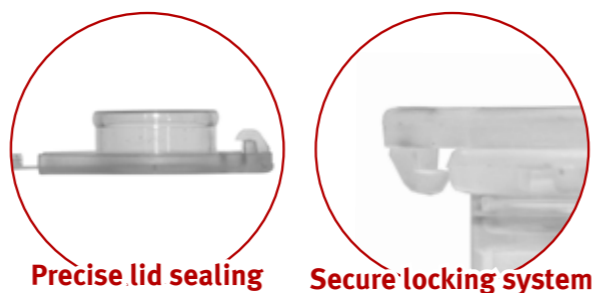
Human DNA, DNase, RNase, Pyrogen, ATP, PCR inhibitors free, each production batch is inspected and certified by an independent laboratory.



- ▶ Hinged lid prevents any unintentional opening during use
- ▶ Precise lid sealing avoids evaporation during long-term storage
- ▶ Pierceable writing cap
- ▶ Optimal transparency
- ▶ Centrifuged at: 0,5ml - 1,5ml - 2,0ml 17,500 rpm - 30,000 x g
- ▶ Temperature of use: -80°C + 100°C
- ▶ Autoclavable open at +121°C for 20 minutes
- ▶ Zip bags, re-closable
- ▶ Graduated with writing area
- ▶ Particularly suitable for application in PCR and other applications in molecular biology
- ▶ Manufactured in Clean Room Class ISO 8 (UNI EN ISO 14644-1). Class 100000 (US FED STD209E)
- ▶ Human DNA, DNase, RNase, Pyrogen, ATP, PCR inhibitors free certified\*
- ▶ CE-IVD marked \*

\* Certificate of analysis, and Declaration of conformity CE-IVD available for download on [www.biosigma.com](http://www.biosigma.com)

### CLEARLock™ 0.5, 1.5, 2.0 ml microtubes in PP with secure locking system



#### Microtube in PP with locking system

CAT. NO.	Color	Volume (ml)	Internal packaging	Sale unit
CL05.001.0500	neutral	0.5	bag/500	500
CL15.002.0500	neutral	1.5	bag/500	1000
CL20.002.0500	neutral	2.0	bag/500	1000

#### Microtube in PP with locking system STERILE

CAT. NO.	Color	Volume (ml)	Internal packaging	Sale unit
CL05.050.0001S	neutral	0.5	single bag	50
CL15.100.0001S	neutral	1.5	single bag	100
CL20.100.0001S	neutral	2.0	single bag	100

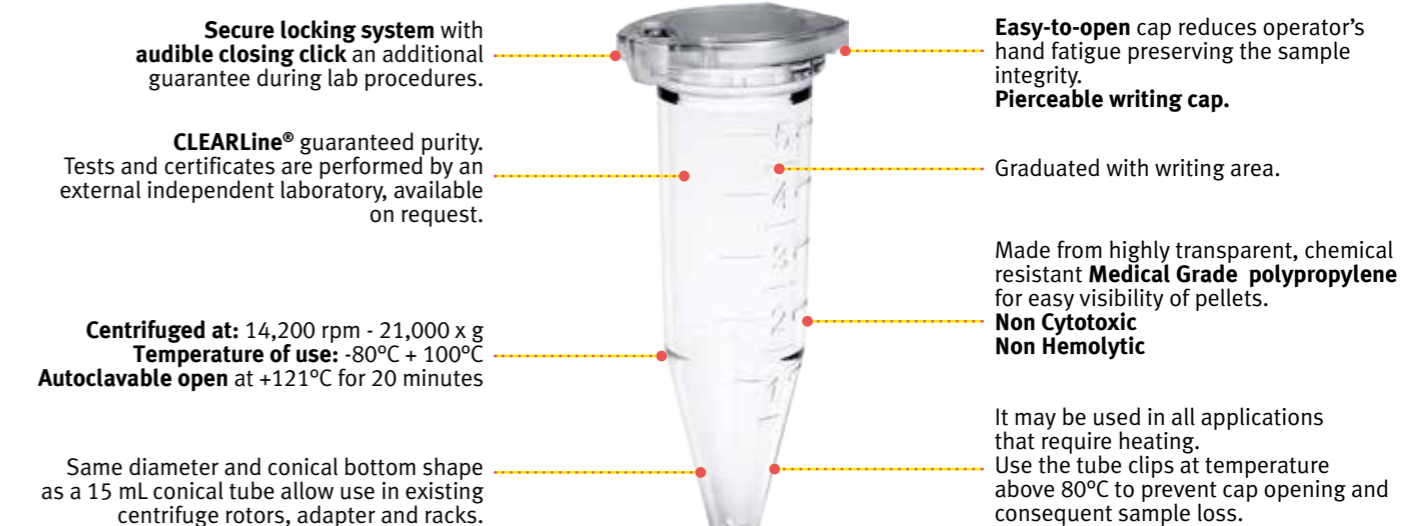
#### Microtube in PP with locking system, in bulk

CAT. NO.	Color	Volume (ml)	Internal packaging	Sale unit
CL05.010.1000B	neutral	0.5	bag/1000	10000
CL05.020.0500B	neutral	0.5	bag/500	10000
CL15.010.1000B	neutral	1.5	bag/1000	10000
CL15.020.0500B	neutral	1.5	bag/500	10000
CL20.008.1000B	neutral	2.0	bag/1000	8000
CL20.016.0500B	neutral	2.0	bag/500	8000

# MICROCENTRIFUGE TUBES SNAP CAPS

## 5 mL WITH SECURE LOCKING SYSTEM

5 ML CLEAR LOCK™ microtubes are designed for samples too large for standard microcentrifuge tubes (1.5ml or 2.0ml) but in the meantime too small for 15 ml centrifuge tube. They ensure a contamination-free pipetting and they are the best choice when working with medium-sized sample volumes. In many applications it may replace the 15 ml test tubes, reducing the waste plastic, storage space needed and transport costs.



#### Microtube in PP with locking system

CAT. NO.	Color	Volume (ml)	Internal packaging	Sale unit
CL50.002.0100	neutral	5.0	bag/100	200

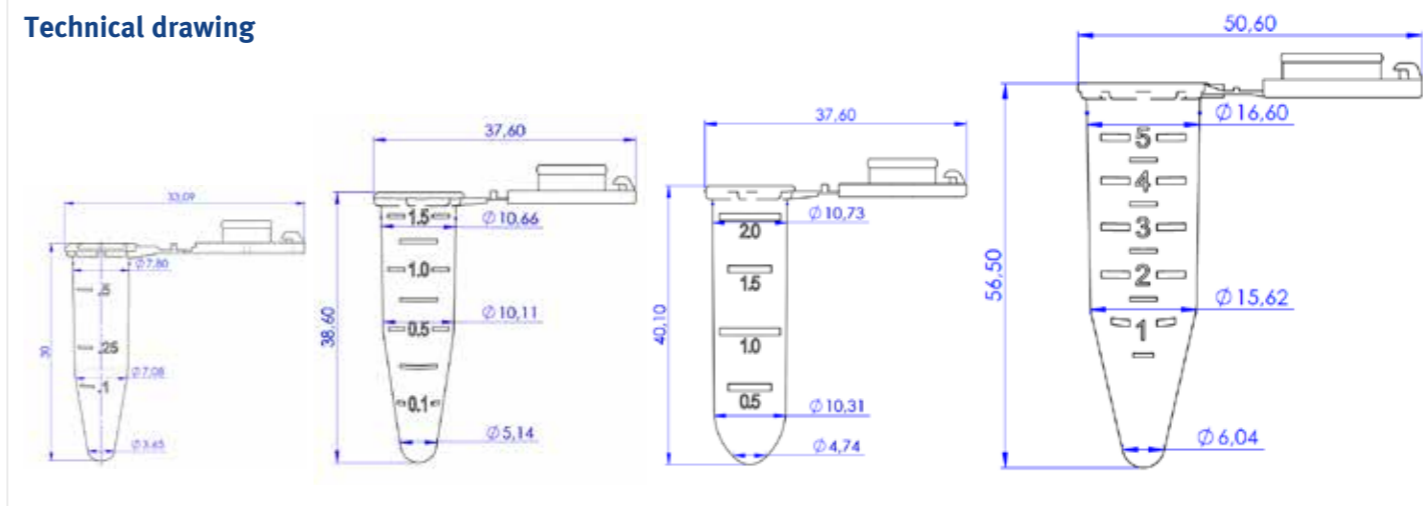
#### Microtube in PP with locking system, in bulk

CAT. NO.	Color	Volume (ml)	Internal packaging	Sale unit
CL50.006.0500B	neutral	5.0	bag/500	3000
CL50.030.0100B	neutral	5.0	bag/100	3000

#### Microtube in PP with locking system STERILE

CAT. NO.	Color	Volume (ml)	Internal packaging	Sale unit
CL50.050.0001S	neutral	5.0	single bag	50
CL50.010.0020S	neutral	5.0	bag/20	200

#### Technical drawing



**CLEARLine®**  
"Be cool, be safe, be CLEARLine"



# MICROCENTRIFUGE TUBES SNAP CAPS

Microtubes in PP 1.5 and 2.0 ml ClearLine

**CLEARLine**<sup>®</sup>  
"Be cool, be safe, be CLEARLine"



Microtube in polypropylene 1.5ml and 2.0ml, graduated, usable on EPPENDORF<sup>®</sup>. ClearLine

- ▶ Flat cap adapted for easy writing
- ▶ Centrifugable up to 25,000 x g
- ▶ In transparent polypropylene
- ▶ Evident graduation
- ▶ Autoclavable at 121°C (for 20 minute)
- ▶ DNase/RNase, Human DNA and Pyrogen free



### Microtube in PP, 1.5 and 2.0 ml ClearLine

CAT.NO	Color	Volume (ml)	Internal packaging	Sale unit
CL022	neutral	1.5	bag/500	case/1000
CL0269	neutral	2.0	bag/500	case/1000

### 4-Way Racks

Polypropylene rack autoclavable to 121°C, arranged on 4 levels

- ▶ Lowest level: 12 holes for 0.2 ml microtubes
- ▶ Second level: 14 holes for 0.5 ml microtubes
- ▶ Third level: 12 holes for 1.5 and 2 ml microtubes
- ▶ Top level: The last line of holes (top level) is also a workstation for microtubes that can be opened and closed just using one hand. Thanks to the locking system the tubes can be securely locked and do not turn

**CLEARLine**<sup>®</sup>  
Accessories



CAT. NO.	Grid Color	Dimensions cm	Sale unit
BSM5827/AZ	light blue	L 18.5 P 12.0 H 5.50	case / 8
BSM5827/RO	red	L 18.5 P 12.0 H 5.50	case / 8
BSM5827/V	green	L 18.5 P 12.0 H 5.50	case / 8

### Racks for 100 tubes

Polypropylene rack for microtube from 1.5 to 2 ml.

- ▶ Supplied Flat (to be fitted)
- ▶ Stackable
- ▶ Marking surface on both sides
- ▶ Autoclavable
- ▶ Alphanumeric printing on the tray
- ▶ Colors available: white, blue, yellow, red
- ▶ Dimensions: 110 x 263 x 45 mm



CAT. NO.	Grid Color	Dimensions cm	Sale unit
391070	white	110 x 263 x 45	1
391071	blue	110 x 263 x 45	1
391072	yellow	110 x 263 x 45	1
391073	red	110 x 263 x 45	1

# MICROCENTRIFUGE TUBES SCREW CAPS

Biosigma's microcentrifuge tubes are manufactured from medical-grade raw material to exceed the exacting standards demanded by researchers.

- ▶ 3 styles of caps to choose from and 6 sizes of conical bottom or self-standing tubes (0.5, 1.5 and 2ml)
- ▶ Withstand high speed centrifugation up to 16,400 rpm or 25,000xg and temperatures from -85°C to +121°C
- ▶ Autoclavable to 121°C. for 20 minutes
- ▶ Tubes made in medical polypropylene and cap in medical polyethylene
- ▶ Sterile SAL 10<sup>-6</sup>
- ▶ Certified DNase/RNase/Pyrogen free to satisfy the highest demands in several biotechnological applications

**CLEARLine**<sup>®</sup>  
"Be cool, be safe, be CLEARLine"



### Sterile microtube: 0.5 ml, o-ring cap

CAT. NO.	Height mm ±0.34	Bottom	O-Ring	Writing area	Collar	Int. pack	Sale unit
CL604/S	47.1	conical	X			bag / 500	case / 1000
CL606/S	48.5	conical	X		X	bag / 500	case / 1000
CL614/S	47.5	self standing	X			bag / 500	case / 1000
CL616/S	49.2	self standing	X		X	bag / 500	case / 1000



### Tube only (non sterile)

CAT. NO.	Vol. ml	Height mm ± 0.34	Bottom	Writing area	Int. pack	Sale unit
CL600	0.5	45.2	conical		bag / 1000	case / 3000
CL610	0.5	45.8	self standing		bag / 1000	case / 3000
CL720	1.5	45.2	conical	X	bag / 1000	case / 3000
CL730	1.5	45.8	self standing	X	bag / 1000	case / 3000
CL740	2.0	45.4	conical	X	bag / 1000	case / 3000
CL750	2.0	46.8	self standing	X	bag / 1000	case / 3000



### Sterile microtube: 1.5 ml, o-ring cap

CAT. NO.	Height mm ±0.34	Bottom	O-Ring	Writing area	Collar	Int. pack	Sale unit
CL724/S	47.1	conical	X	X		bag / 500	case / 1000
CL726/S	48.2	conical	X	X	X	bag / 500	case / 1000
CL734/S	47.6	self standing	X	X		bag / 500	case / 1000
CL736/S	49.0	self standing	X	X	X	bag / 500	case / 1000

### Screw cap for microtube (non sterile)

Color	Flat cap + O-Ring	Cap suitable for cap disk + O-Ring	Cap suitable for cap disk with collar + O-Ring
High-mm ± 0.21	6.8	8.2	8.2
Diameter-mm ± 0.23	13.2	13.2	13.2
neutral	CL810	CL811	CL812
light blue	CL810/AZ	CL811/AZ	CL812/AZ
white	CL810/BI	CL811/BI	CL812/BI
yellow	CL810/G	CL811/G	CL812/G
pink	CL810/RA	CL811/RA	CL812/RA
red	CL810/RO	CL811/RO	CL812/RO
green	CL810/V	CL811/V	CL812/V
Internal pack.	bag / 1000	bag / 1000	bag / 1000
External pack.	case / 3000	case / 3000	case / 3000



### Sterile microtube: 2.0 ml, o-ring cap

CAT. NO.	Height mm ±0.34	Bottom	O-Ring	Writing area	Int. pack	Collar	Sale unit
CL744/S	47.2	conical	X	X	bag / 500		case / 1000
CL746/S	48.4	conical	X	X	bag / 500	X	case / 1000
CL754/S	48.6	self standing	X	X	bag / 500		case / 1000
CL756/S	49.8	self standing	X	X	bag / 500	X	case / 1000

All microtubes can be diversified by using color code inserts, as follow:

**CLEARLine**<sup>®</sup>  
Accessories



### Cap disk

CAT. NO.	Color	Internal packaging	Sale unit
BSM910/AZ	light blue	bag / 1000	case / 1000
BSM910/RO	red	bag / 1000	case / 1000
BSM910/V	green	bag / 1000	case / 1000
BSM910/G	yellow	bag / 1000	case / 1000
BSM910/RA	pink	bag / 1000	case / 1000
BSM910/BI	white	bag / 1000	case / 1000

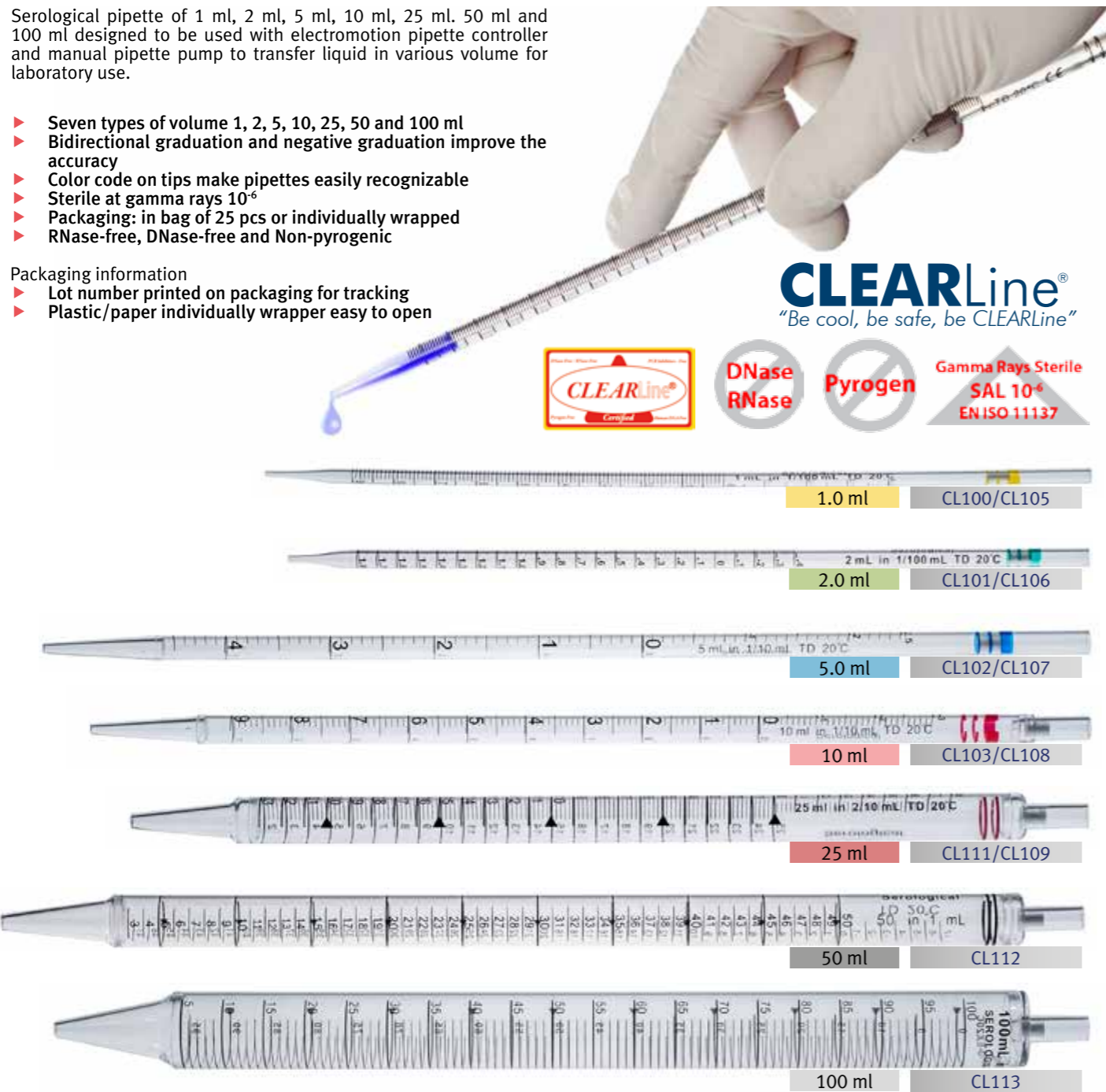
# SEROLOGICAL PIPETTES

Serological pipette of 1 ml, 2 ml, 5 ml, 10 ml, 25 ml, 50 ml and 100 ml designed to be used with electromotion pipette controller and manual pipette pump to transfer liquid in various volume for laboratory use.

- ▶ Seven types of volume 1, 2, 5, 10, 25, 50 and 100 ml
- ▶ Bidirectional graduation and negative graduation improve the accuracy
- ▶ Color code on tips make pipettes easily recognizable
- ▶ Sterile at gamma rays  $10^{-6}$
- ▶ Packaging: in bag of 25 pcs or individually wrapped
- ▶ RNase-free, DNase-free and Non-pyrogenic

#### Packaging information

- ▶ Lot number printed on packaging for tracking
- ▶ Plastic/paper individually wrapper easy to open



**CLEARLine®**  
"Be cool, be safe, be CLEARLine"



#### Sterile individually wrapped

CAT. NO.	Volume (ml)	Graduation (mm)	Internal Packaging	Sale unit
CL100	1	1/100	100	1000
CL101	2	1/100	100	800
CL102	5	1/10	50	300
CL103	10	1/10	50	200
CL111	25	2/10	50	200
CL112	50	1	25	100
CL113	100	1	50	50

#### Sterile in bags

CAT. NO.	Volume (ml)	Graduation (mm)	Internal packaging	Sale unit
CL105	1	1/100	25	1000
CL106	2	1/100	25	800
CL107	5	1/10	25	500
CL108	10	1/10	25	350
CL109	25	2/10	25	350



Color code on tips make pipettes easily recognizable

# FILTER TIPS

Sterile filter tips, racked, in lift-off lid boxes

Your solution for liquid samples.

- ▶ Filtered tip, in natural polypropylene, racked, available in lift-off lid boxes
- ▶ Certified DNase, RNase-free, human DNA, PCR inhibitors and Pyrogen free
- ▶ Sterile
- ▶ CE marking : conforms to the necessary Health & Safety regulations as set by European Directives
- ▶ IVD certification: All ClearLine® tips have been registered as In Vitro Diagnostic Devices and comply with the 98/79/ EC Directive
- ▶ The ISO 8655 norm, as established by an independent laboratory, guarantees that the ClearLine® tips do not alter the pipette's technical specifications as set by their manufacturer - Visit [www.dutscher.com/clearline](http://www.dutscher.com/clearline) to view the tips' compatibility test results with your pipettes.
- ▶ Autoclavable at 121°C
- ▶ Supplied in a rack with non removable lid, for under hood use

Available:

- ▶ In standard virgin polypropylene
- ▶ In low Binding: the tip, hydrophobic PP made, reduces the surface tension with two benefits: a maximal sample refund and a minimal retention of DNA and proteins (weakest retention respect to the standard one)



Certificate CE / IVD / ISO-8655



Certification CE / IVD / ISO-8655

**CLEARLine®** CE IVD  
"Be cool, be safe, be CLEARLine"



Model	Volume (µl)	Features	Compatibility	Standard		Low Binding	
				CAT. NO.	Sale unit	CAT. NO.	Sale unit
Microguard 10G	0.1-10 µl	Small volume Tips (28.8 mm)	Gilson P2-P10, Finnpiptette 2-10 µl Biohit 2.5-10 µl	028200CL	10x96	035200CL	10x96
MicroReach Guard	0.1-10 µl	Universal Long (45 mm)	Gilson P2-P10 Eppendorf 10 µl Finnpiptette 2-10 µl Biohit 2.5-10 µl	038000CL	10x96	038000TCL	10x96
Microguard 10XL	0.1-10 µl	Universal Long (45 mm)	Gilson P2-P10 Eppendorf 2.5 µl - 10 µl Finnpiptette 2-10 µl Biohit 2.5-10 µl	130340CL	10x96	-	-
Multiguard 10E	0.5-10 µl	Crystal Long tips (45.5 mm)	Eppendorf 10 µl Socorex 10 µl	015020CL	10x96	035210CL	10x96
Multiguard 20 µl	1-20 µl	Universal (50.7 mm)	Gilson P20 Eppendorf 20 µl Finnpiptette 10-20 µl Socorex 20 µl	014210CL	10x96	035220CL	10x96
Multiguard 100 µl	1-100 µl	Universal (50.7 mm)	Gilson P100 Biohit 50-100 µl Eppendorf 100 µl Finnpiptette 50-100 µl Socorex 100 µl	036060CL	10x96	036060TCL	10x96
Multiguard 200 µl	1-200 µl	Universal (50.7 mm)	Gilson P200 Eppendorf 200 µl Finnpiptette 200 µl Socorex 200 µl	014220CL	10x96	035230CL	10x96
MultiGuard3 and 200 µl	1-2 µl 1-100 µl 1-200 µl	Long Tips (78.0 mm)	Gilson P20 - P100 - P200 Biohit 50-100 µl Eppendorf 20-100-200 µl Finnpiptette 10-20-50-100-200 µl	017370CL	10x96	035240CL	10x96
Multiguard 300 XT	1-300 µl	Long Tips (78.0 mm)	Gilson P200 Biohit 250 µl Eppendorf 200 µl Finnpiptette 200 µl	130510CL	10x96	130510TCL	10x96
Multiguard 1000 µl	100-1000 µl	Universal (71.8 mm)	Gilson P1000 Eppendorf 1000 µl Finnpiptette 1000 µl Biohit 1000 µl Socorex 1000 µl	014200CL	10x100	035260CL	10x100
Multiguard 1250 µl	50-1250 µl	Long Tips (102 mm)	for pipettes 1000 µl	134000CL	8x96	-	-

#### Non-filter tips, racked, lift-off lid

Volume (µL)	Description	Compatibility	Qty	Standard tips		Low-binding tips	
				Non-sterile	Sterile	Non-sterile	Sterile
0.1 - 10	45 mm long, fine tip	Universal	10 x 96	030560ACL	030570ACL	-	-
0.1 - 10	45 mm long tip	Universal	10 x 96	037640CL	037660CL	037640TCL	037660TCL
1 - 200	Universal tip, natural colour - length 50.7 mm	Universal	10 x 96	032230CL	032250CL	-	035100ACL
1 - 200	Universal graduated tip, yellow - length 50.7 mm	Universal	10 x 96	032240CL	032260CL	-	-
100 - 1000	Universal tip, blue - length 72.8 mm	Universal	10 x 100	027110CL	027120CL	-	-
50 - 1250	102 mm long tip	Universal	8 x 96	134750CL*	134760CL*	-	-

\* Supplied in a rack with hinged lid



## Filter and standard tips, hinged lid rack

### Tips

CLEARLine® filter tips, racked, hinged lid

- ▶ Sterile filter tips
- ▶ Low-binding filter tips : maximal sample recovery for increased precision
- ▶ Universal compatibility



**Certification CE / IVD / ISO-8655**

**CLEARLine®** CE IVD  
"Be cool, be safe, be CLEARLine"

**ClearLine** DNase RNase Human DNA PCR Inhibitors Endo-toxins Pyrogen

Photo	Sterile filter tips Low Binding		Sterile tips without filter		Description	Int. pack.	Sale unit
	CAT. NO.	CAT. NO.	Volume (µl)	Tray Color			
	713130	713135	10	red	10 µl graduated tip Length: 31.24 mm	10 x 96	960
	713114	713136	10	red	10 µl graduated long tip Length: 45.87 mm	10 x 96	960
	713115	-	20	yellow	20 µl graduated tip Length: 50.75 mm	10 x 96	960
	713116	-	100	yellow	100 µl graduated tip Length: 59.54 mm	10 x 96	960
	713117	713137	200	yellow	200 µl graduated tip Length: 59.54 mm	10 x 96	960
	713131	713138	300	green	300 µl graduated tip Length: 59.54 mm	10 x 96	960
	713118	713139	1000	blue	1000 µl graduated tip Length: 81.78 mm	8 x 96	768
	713119	713140	1250	blue	1250 µl graduated tip Length: 98.40 mm	8 x 96	768

## CLEARLine® reload system

CLEARLine® reload system

- ▶ Quick, simple reload system
- ▶ Standard non-filter tips, non-sterile, compatible with most pipette brands
- ▶ Eco-friendly: cardboard packaging (reduces plastic waste)
- ▶ Space saving: requires 57% less space than other reload systems
- ▶ The non-filter tip racks from the reload system are compatible with the ClearLine® hinged lid boxes for filter tips (this system is a great way of easily reducing plastic waste)



Photo	Recharge standard		Recharge Low binding		Description	Int. pack.	Sale unit
	CAT. NO.	CAT. NO.	Volume (µl)	Tray Color			
	713128	713151	10	red	10 µl graduated tip Length: 31.24 mm	10 x 96	960
	713110	713147	10	red	10 µl graduated long tip Length: 45.84 mm	10 x 96	960
	713111	713148	200	yellow	200 µl graduated tip Length: 50.75 mm	10 x 96	960
	713129	713162	300	green	300 µl graduated tip Length: 59.54 mm	10 x 96	960
	713112	713149	1000	blue	1000 µl graduated tip Length: 81.78 mm	8 x 96	768
	713113	713150	1250	blue	1250 µl graduated tip Length: 98.40 mm	8 x 96	768

## Empty boxes for CLEARLine® reload system

CAT. NO.	Description	Internal packaging	Sale unit
713120	Empty boxes for Clearline® 10-200 µL racked tips	10	10
713121	Empty boxes for Clearline® 1000-1250 µL racked tips	8	8



## CLEARLine® Centrifuge Tubes

CLEARLine centrifuge tubes are applicable in molecular biology as disposable laboratory consumables which are manufactured from high transparency polypropylene. Two types of volume are available to meet general need: 15 ml and 50 ml. A ring molded on inner surface of cap make an excellent seal to prevent leak of liquid. Marking area is printed in white to make tube easy for identification. Clearly graduation in black on the surface is helpful for users to calibrate. Preferably, 3 ml graduation molded on conical bottom improves the accuracy of centrifuge tube.

The range of temperature tube can bear is from -80 °C to 100 °C. All CLEARLine centrifuge tubes are packaged in bags or racks sterile, RNase-free, DNase-free and Non-pyrogenic.

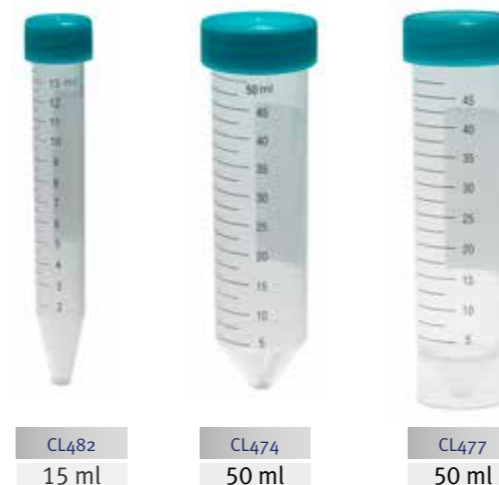
- ▶ 15ml and 50ml volume
- ▶ High transparency polypropylene
- ▶ Molded ring in the cap inner surface grants an excellent seal to prevent leak of liquid
- ▶ White writing area for easy identification
- ▶ Black graduation
- ▶ Conical and self-standing bottom
- ▶ Can be centrifuged up to 14,800 x g for 50 ml and 10,280 x g for 15 ml centrifuge tubes
- ▶ Sterilised at gamma rays SAL 10<sup>6</sup>
- ▶ Temperature range -80 °C to 100 °C
- ▶ RNase-free, DNase-free and Non-pyrogenic
- ▶ Autoclavable at 121 °C during 20 min.

**CLEARLine®**  
"Be cool, be safe, be CLEARLine"



Packaging information:

- ▶ Lot number is printed on packaging for tracking
- ▶ Heat-sealed bag, reusable zip bag
- ▶ PS rack, heat shrinking pack



### CLEARLine Centrifuge tube-15-50 ml

CAT. NO.	Vol. (ml)	Dimensions (mm)	Centrifugation speed	Bottom style	Raw Material	Rack	Certifications	Inner Bag	Sale unit
CL474	50	116 x 28	12000 r/min; 14800 x g	Conical	polypropylene		RNase-free DNase-free Non-pyrogenic Sterile	25	500
CL475	50	116 x 28	12000 r/min; 14800 x g	Conical		X		25	500
CL477	50	118 x 28	12000 r/min; 14800 x g	Self standing				25	500
CL482	15	120 x 16	10000 r/min; 10280 x g	Conical				25	500
CL490	15	120 x 16	10000 r/min; 10280 x g	Conical		X	50	500	

"Be cool, be safe, be CLEARLine"





a Dominique Dutscher company

Address: Via Valletta, 6 • 30010, Cona (Venice) Italy

Phone ++39 0426 302224

Fax ++39 0426 302228

[export@biosigmaeu.com](mailto:export@biosigmaeu.com)

[www.biosigma.com](http://www.biosigma.com)

V.A.T. IT 03228440270

Ver. 1.4 Printed 2017

**CLEARLine**<sup>®</sup>  
"Be cool, be safe, be CLEARLine"